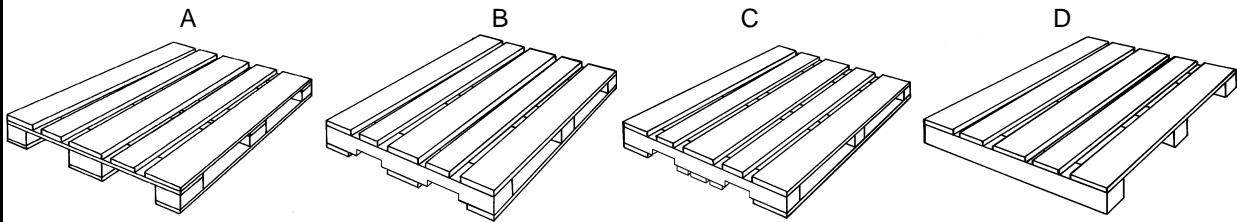


- (1) FRAMES
- (2) BEAMS
- (3) FOOTPLATES (bolted or welded)
- (4) SHIMS...

- (5) ROW SPACER
- (6) CROSSBARS...
- (7) ANCHOR BOLTS U
- (8) DRUM CRADLE U

- (9) STEEL SHELVE L-2C U

TYPE OF PALLETS



A
4 WAY ENTRY - NON REVERSIBLE

B
2 WAY ENTRY - NON REVERSIBLE

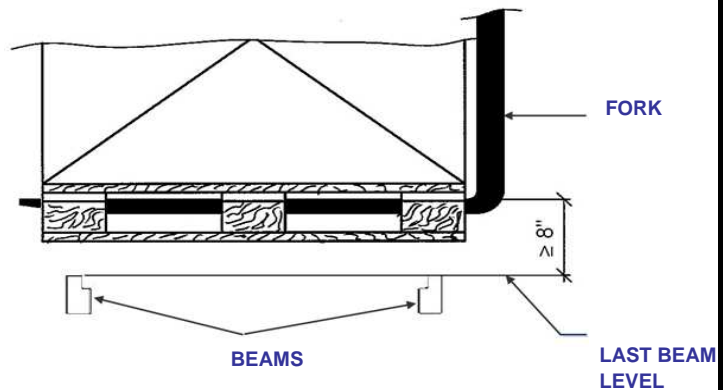
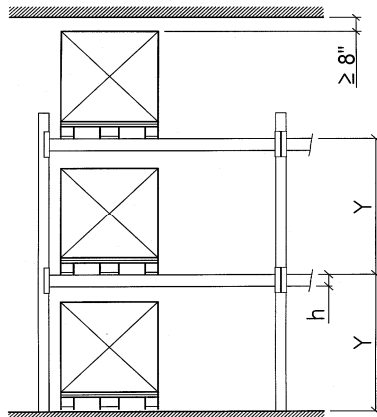
C
2 WAY ENTRY - REVERSIBLE

D
2 WAY ENTRY - NON REVERSIBLE

To store pallet types B and C in Conventional Pallet Racking the dimensions of the skids should be taken into account.

STANDARD DIMENSIONS (inches): 40" or 42" x 48"

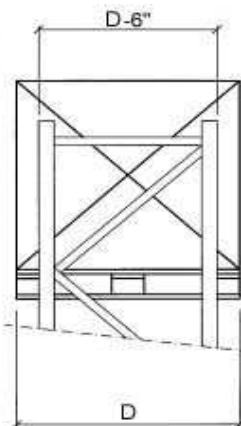
LOAD LEVELS - CLEARANCES



Y = Height between levels = pallet height + 4" + beam "h" and round to next 2" increment.
The minimum distance from the forks to the top beam is 8" gap.

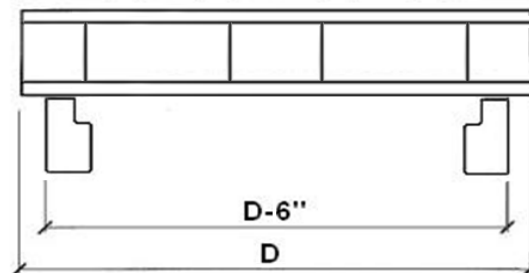
DEPTH FRAME - CLEARANCES

PALLETS TYPE A / D
(SKIDS FACING THE AISLE)



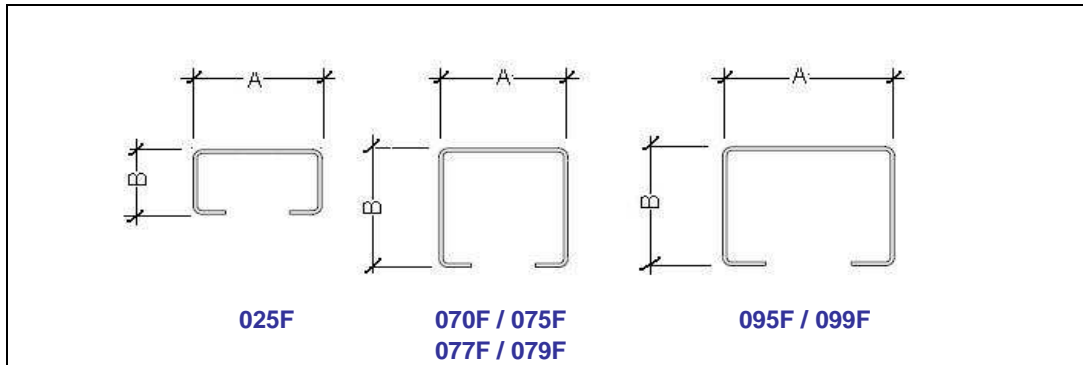
Depth Frame = Depth Pallet - 6".

PALLETS TYPE B / C



WELDED BEAM:
Depth Frame = Depth Pallet - 6".

WELDED FRAMES



Upright model	A (")	B (")	Gauge
025F	3	1 5/8	Gauge 13 (0.090")
070F	3	3	Gauge 14 (0.070")
075F	3	3	Gauge 13 (0.090")
077F	3	3	Gauge 12 (0.105")
079F	3	3	Gauge 11 (0.120")
095F	4	3	Gauge 13 (0.090")
099F	4	3	Gauge 11 (0.120")

WELDED FRAMES CAPACITIES (lb)							
FM \ HbL	IK025F	IK070F	IK075F	IK077F	IK079F	IK095F	IK099F
36"	23,400	28,600	38,400	44,300	50,000	37,500	60,200
42"	21,900	25,900	34,600	39,800	44,900	37,500	60,200
48"	19,300	23,000	30,600	35,200	39,700	36,300	57,900
54"	16,700	20,000	26,400	30,400	34,300	33,900	53,200
60"	15,000	17,700	23,100	26,600	30,000	31,300	48,400
66"	13,400	16,000	20,900	24,000	27,100	28,500	43,500
72"	11,700	14,400	18,700	21,400	24,100	25,800	38,700
78"	10,300	12,800	16,500	19,000	21,300	23,200	34,500
84"	9,100	11,400	14,700	16,900	19,000	21,700	31,900
90"	8,000	10,200	13,100	15,100	16,900	20,100	29,400
96"	7,100	9,200	11,800	13,500	15,200	18,600	26,800

FM= Frame Model

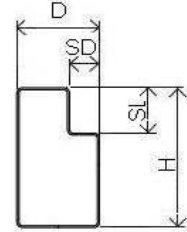
HbL= Height between Levels

NOTE:

- Capacities are per the 2008 RMI and 2001 AISI specification.
- Capacities for **static loads only**; including product load plus dead load (dead load = 2% of product load)
- Maximum unsupported length is measured from the floor to the top of the first beam or the maximum beam spacing (the worst case).
- Capacities are only valid when used with Mecalux-Interlake published beam sizes.
- These capacities assume that all component parts are (1) manufactured by Mecalux-Interlake, (2) in good condition, and (3) properly installed.

BEAMS

STEP BEAM DIMENSIONS (in) *					
Type	H	D	SD	SL	Thickness
27E	2.75	2.750	1	1.625	0.063
36E	3.656				
40E	4				
45E	4.5				
50E	5				
59E	5.928				
65E	6.54				
65Q	6.54				0.084



* Slotted and unslotted beams.

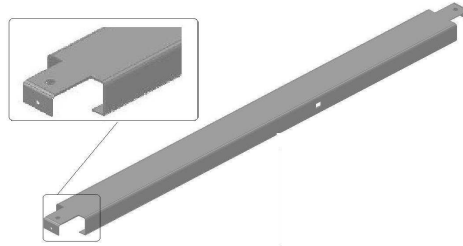
BEAM CAPACITY PER PAIR (lbs)								
Length (in)	27E	36E	40E	45E	50E	59E	65E	65Q
48"	5.723	8.396	9.800	11.607	13.799	16.235	20.760	27.765
54"	5.151	7.519	8.787	10.383	12.358	14.506	18.511	24.730
60"	4.694	6.811	7.969	9.405	11.194	13.110	16.729	22.326
66"	4.317	6.232	7.308	8.605	10.243	11.982	15.272	20.359
72"	3.950	5.750	6.751	7.931	9.461	11.030	14.043	18.721
78"	3.411	5.342	6.281	7.368	8.791	10.235	13.017	17.335
84"	2.982	4.994	5.878	6.887	8.217	9.545	12.126	16.130
90"	2.633	4.692	5.524	6.463	7.721	8.947	11.353	15.102
96"	2.344	4.162	5.220	6.093	7.279	8.424	10.689	14.202
102"	2.101	3.717	4.790	5.773	6.897	7.963	10.092	13.395
108"	1.898	3.338	4.308	5.483	6.551	7.553	9.562	12.691
114"	1.724	3.021	3.899	5.014	6.249	7.187	9.098	12.048
120"	1.575	2.745	3.554	4.557	5.814	6.678	8.444	11.223
126"	1.444	2.508	3.247	4.157	5.386	6.178	7.802	10.415
132"	1.330	2.302	2.984	3.815	5.005	5.732	7.232	9.681
138"	1.230	2.121	2.754	3.515	4.657	5.336	6.723	9.033
144"	1.142	2.000	2.549	3.248	4.308	5.000	6.277	8.442
150"	1.065	1.819	2.370	3.015	4.000	4.654	5.863	7.908
156"	994	1.694	2.208	2.804	3.725	4.367	5.495	7.422
162"	931	1.581	2.063	2.616	3.476	4.100	5.159	6.976
168"	875	1.481	1.934	2.451	3.257	3.861	4.851	6.574

- Capacities per **ANSI MH16,1 2012 (RMI 2012)** and 2007 AISI specification.
- These beams use tab endplate

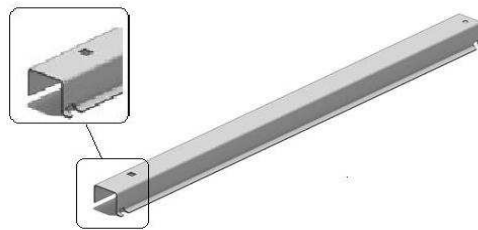
NOTE:

- Capacities for **static loads only**; including product load plus dead load (dead load = 2% of product load)
- Interlake-Mecalux beams over 126"L require lateral bracing, as it is said in the product manual (yellow values)
- Beams longer than 90" that support decking must be tied together (with one Crossbar IK025B) to prevent spreading.
- Loading to be uniformly distributed over the length of the beam.
- Values show reflect the capacity of the beams based on the lesser of its strength in bending or L/180 deflection criteria.

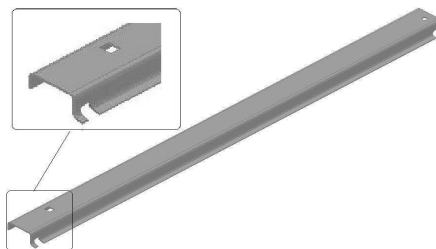
PALLET SUPPORTS



CROSSBARS IK004B CAPACITIES							
Frame Depth	Capacity (Lb)	Frame Depth	Capacity (Lb)	Frame Depth	Capacity (Lb)	Frame Depth	Capacity (Lb)
24"	2950	38"	1700	52"	1110	66"	660
26"	2670	40"	1600	54"	1020	68"	620
28"	2440	42"	1520	56"	950	70"	590
30"	2250	44"	1440	58"	880	72"	550
32"	2080	46"	1370	60"	810		
34"	1940	48"	1310	62"	760		
36"	1810	50"	1210	64"	710		



CROSSBARS IK025B CAPACITIES							
Frame Depth	Capacity (Lb)	Frame Depth	Capacity (Lb)	Frame Depth	Capacity (Lb)	Frame Depth	Capacity (Lb)
24"	1890	38"	1090	52"	760	66"	560
26"	1710	40"	1020	54"	730	68"	530
28"	1560	42"	970	56"	700	70"	500
30"	1430	44"	920	58"	680	72"	470
32"	1330	46"	870	60"	650		
34"	1240	48"	830	62"	630		
36"	1160	50"	800	64"	600		

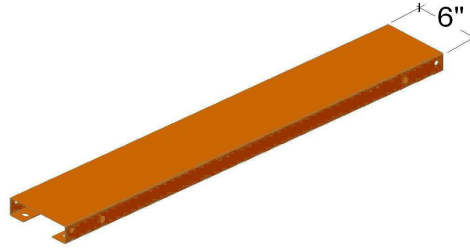


CROSSBARS IK035B CAPACITIES							
Frame Depth	Capacity (Lb)	Frame Depth	Capacity (Lb)	Frame Depth	Capacity (Lb)	Frame Depth	Capacity (Lb)
24"	740	34"	480	44"	290	66"	120
26"	670	36"	450	46"	270	72"	100
28"	610	38"	410	48"	240		
30"	560	40"	360	54"	190		
32"	520	42"	320	60"	150		

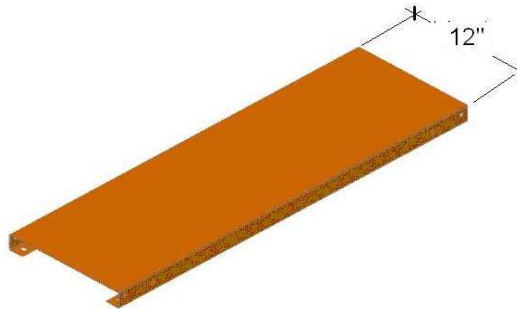
NOTE:

- Capacities are uniformly distributed product load plus dead load per each crossbar.
- These capacities assume that all component parts used are (1) manufactured by Interlake Mecalux, (2) in good condition, and (3) properly installed.
- There is no impact loading included in this chart.

PALLET SUPPORTS



SHELF IK IA108N 1 5/8" (6") CAPACITIES							
Frame Depth	Capacity (Lb)	Frame Depth	Capacity (Lb)	Frame Depth	Capacity (Lb)	Frame Depth	Capacity (Lb)
24"	1,000	34"	1,000	44"	1,000	66"	675
26"	1,000	36"	1,000	46"	1,000	72"	600
28"	1,000	38"	1,000	48"	950		
30"	1,000	40"	1,000	54"	850		
32"	1,000	42"	1,000	60"	750		



SHELF IK IA114N 1 5/8" (12") CAPACITIES							
Frame Depth	Capacity (Lb)	Frame Depth	Capacity (Lb)	Frame Depth	Capacity (Lb)	Frame Depth	Capacity (Lb)
24"	1,000	34"	1,000	44"	1,000	66"	675
26"	1,000	36"	1,000	46"	1,000	72"	600
28"	1,000	38"	1,000	48"	950		
30"	1,000	40"	1,000	54"	850		
32"	1,000	42"	1,000	60"	750		

NOTE:

- These capacities assume that all component parts used are (1) manufactured by Interlake Mecalux, (2) in good condition, and (3) properly installed.
- Must be taken into account that the beam will be slotted when his length is over 90"
- Capacity values for each shelf.

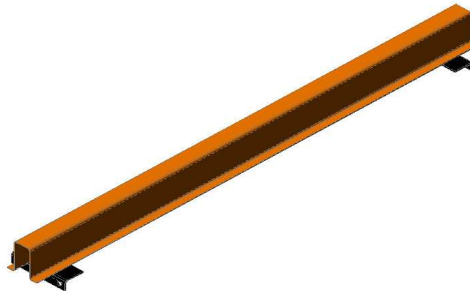
PALLET SUPPORTS



Drum Coil Bed IA402D CAPACITIES							
Frame Depth	Capacity (Lb)	Frame Depth	Capacity (Lb)	Frame Depth	Capacity (Lb)	Frame Depth	Capacity (Lb)
24"	3,300	34"	2,240	44"	1,700	66"	1,110
26"	3,020	36"	2,110	46"	1,620	72"	1,020
28"	2,780	38"	1,990	48"	1,550		
30"	2,570	40"	1,880	54"	1,370		
32"	2,390	42"	1,780	60"	1,230		

NOTE:

- Maximum drum diameter = 22-1/2".
- Capacities are uniformly distributed product load plus dead load per each drum coil bed.
- There is no impact loading included in this chart.
- The capacities assume that all component parts used are manufactured by Interlake Mecalux, in good condition, and properly installed.
- Capacity values for each Drum Coil Bed.
- They are not load limitation for St.Drum Cradle IK IA400D

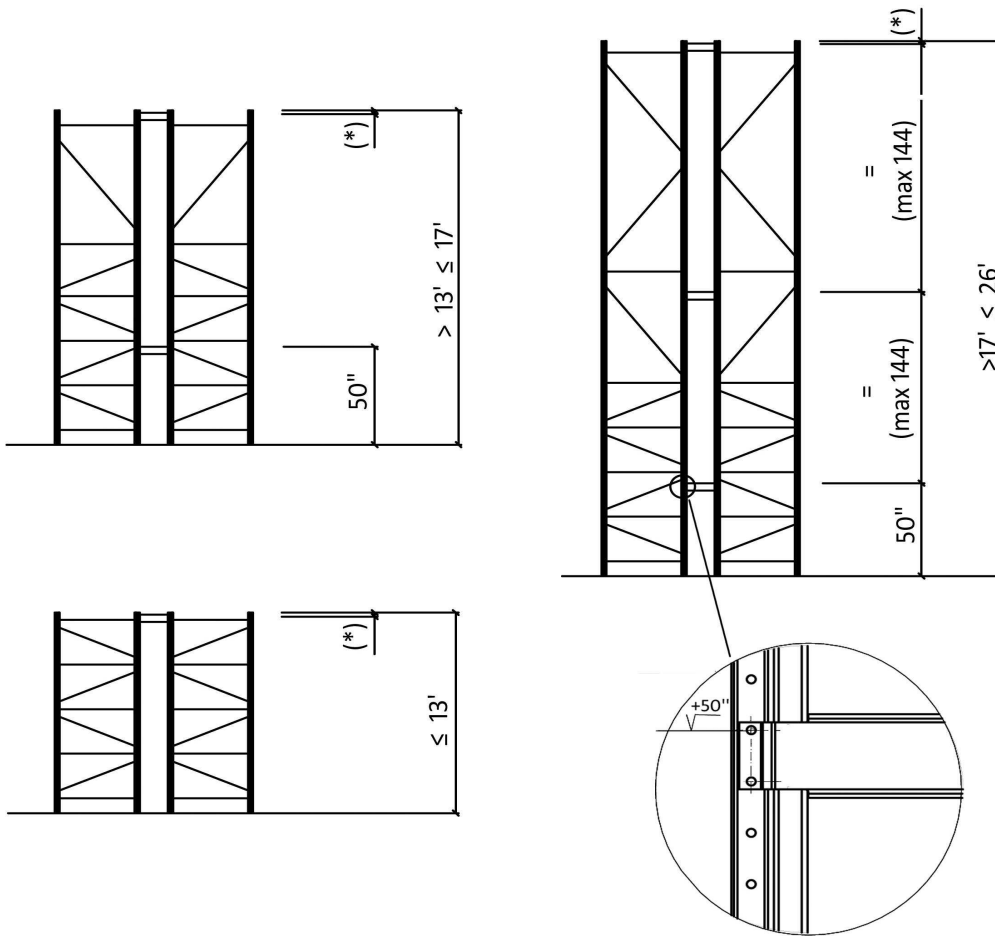


Fork Clearance Bar IK IA300F CAPACITIES							
Frame Depth	Capacity (Lb)	Frame Depth	Capacity (Lb)	Frame Depth	Capacity (Lb)	Frame Depth	Capacity (Lb)
24"	2,640	34"	1,790	44"	1,350	66"	880
26"	2,410	36"	1,680	46"	1,290	72"	810
28"	2,200	38"	1,580	48"	1,230		
30"	2,050	40"	1,500	54"	1,090		
32"	1,910	42"	1,420	60"	970		

NOTE:

- Use of this accessory creates point loads on the beam. Uniformly distributed capacities in beam charts are not valid with the use of fork clearance bars.
- Capacities are uniformly distributed product load plus dead load per each fork clearance bar.
- There is no impact loading included in this chart.
- The capacities assume that all component parts used are manufactured by Interlake Mecalux, in good condition, and properly installed.
- Capacity values for each Fork Clearance Bar IK IA300F.

ROW SPACERS



High frame	Row Spacer quantity
$\leq 13'$	1
$> 13' \leq 17'$	2
$> 17' \leq 26'$	3
$> 26'$	4 or more

- 1.- The first row spacer have to be installed at 50" height from the floor
- 2.- The top row spacer have to be installed in the upper part of the frame, next to the highest cross-tie bracing. (*)
- 3.- The intermediate row spacers have to be places preferably (avoiding interference with beams or any other installation element) closed to knots between struts and trying to be in equal distances between them (maximum 144").