

Industrial Metal Shelving *Storage System*



Dixie
SHELVING

A Division of Shelving Concepts, Inc.

"American Made Products Holding the Weight Since 1958"

Shelving Components

CLASS "O" & "I"

Dixie Industrial Shelving is designed for normal loads.

Class "O" is made from 20 gauge prime cold rolled steel.

Class "I" is made from 18 gauge prime cold rolled steel. Both are powder coated.

CLASS "I-A"

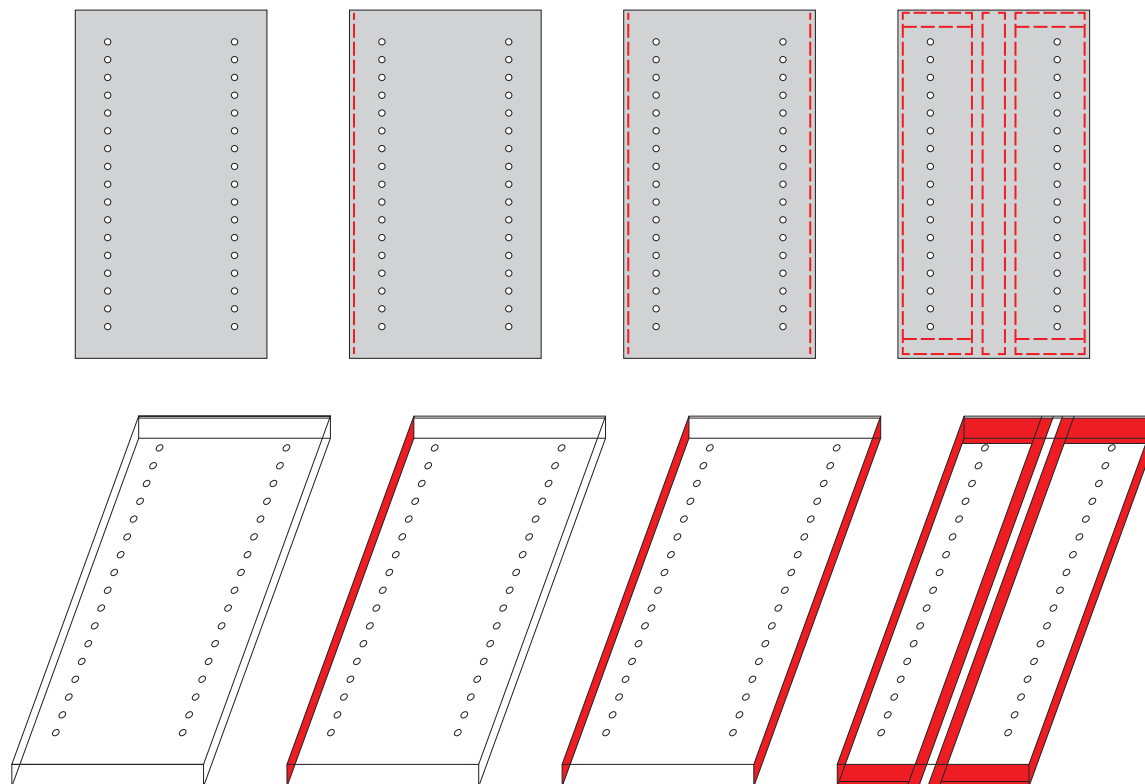
Reinforced front to Dixie Class "I" Industrial Shelving has been added a 12 gauge angle bar 11/2" x 1" in the front flange. This added front strength supports shock of climbing or rough handling.

CLASS "II"

Reinforced front and back 12 gauge steel angle bars 11/2" x 1" in the front and rear flange for greater load capacity.

CLASS "III"

For heavier loads-front and rear flange re-inforcing with 12 gauge angle bars 11/2" x 1". Additional center reinforcing steel "Hat" section is welded under the entire length of the shelf.



LOAD CARRYING CAPACITIES - POUNDS PER SHELF

Determined on an evenly distributed basis and not on impact load.

SIZE
36 X 12
36 X 15
36 X 18
36 X 24
36 X 30
36 X 36
42 X 12
42 X 15
42 X 18
42 X 24
42 X 30
42 X 32
42 X 36
48 X 12
48 X 15
48 X 18
48 X 24
48 X 30
48 X 36

CLASS "O"	CLASS I
450	775
430	765
420	760
400	750
N/A	600
N/A	500
N/A	475
N/A	470
N/A	465
N/A	455
N/A	445
N/A	440
N/A	425
N/A	320
N/A	315
N/A	310
N/A	305
N/A	300
N/A	300

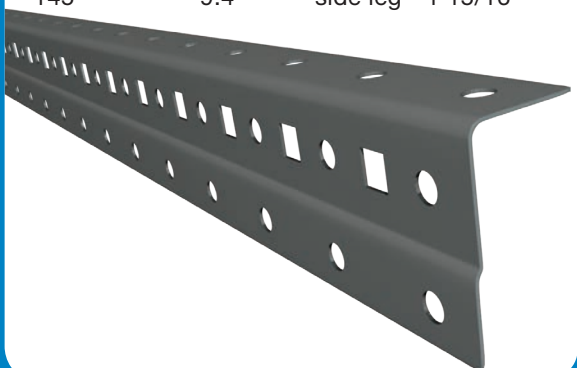
CLASS IA
905
895
885
875
765
750
600
590
575
565
560
550
550
415
410
405
400
390
385

CLASS II
1205
1200
1180
1100
1000
990
920
905
880
810
765
700
700
660
645
585
580
475
425


CLASS III
2000
2000
1600
1600
1550
1450
1300
1280
1260
1240
1230
1175
1175
1200
1200
875
750
675
600

Shelving Components

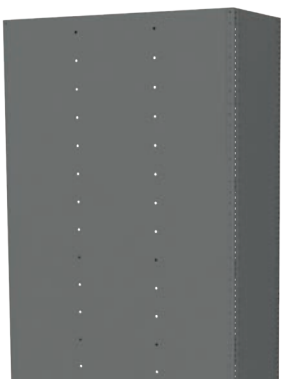
HEIGHT	WT. (LBS)	POST
73"	4.8	Punched on 1 1/2" centers. Finished with powder coated. 14 gauge cold rolled steel. Front leg - 1" side leg - 1 15/16"
85"	5.5	
97"	6.2	
109"	6.9	
121"	8.0	
145"	9.4	



SIZE	WT. (LBS)	END SHEETS
12" X 85"	5.5	Finished in powder coated 24 gauge steel. Sheets longer than 85" are 2 pc.
15" X 85"	7.9	
18" X 85"	9.3	
24" X 85"	12.6	
30" X 85"	16.1	
36" X 85"	19.4	




SIZE SHEETS	WT. (LBS)	BACK
36" X 85"	21.1	Sheets longer than 85" are 2 pc. Finished in powder coated. 24 gauge steel.
42" X 85"	24.6	
48" X 85"	28.1	




END BRACES		BACK BRACES	
SIZE	WT.	SIZE	WT.
12" w	.9	36" w	2.7
15" w	1.2	42" w	2.9
18" w	1.4	48" w	3.5
24" w	2.2		
30" w	2.5		
32" w	2.6		
36" w	2.7		

Furnished in pairs 1" wide. Powder coated.



SHELF DIVIDER		FULL LENGTH DIVIDER	
12" X 6"	24" X 6"	Attaches to shelf above and below for extra strength. Clear opening will be 1 1/2" less than divider height.	
12" X 12"	24" X 12"		
12" X 18"	24" X 18"		
18" X 6"	24" X 24"		
18" X 12"	36" X 6"		
18" X 18"	36" X 12"		
18" X 24"	36" X 18"		
	36" X 24"		

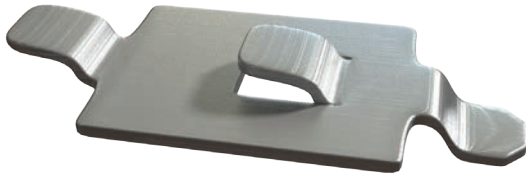
Full opening divider. Powder coated.



Shelving Components

SHELF CLIP

12 gauge. Zinc coated



SHELF REINFORCEMENTS

SIZE	WT.
36"	1.5
42"	1.7
48"	1.9

12 gauge x 1 1/4" cold rolled steel.
Finished in powder coated.



ANGLE CORNER BRACES (Gussets)

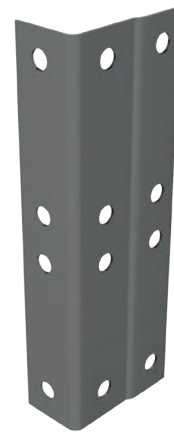
Powder coated.

We suggest A.C.B. be used on all corners front and back used when back braces are eliminated to allow easy access from front or back of shelving.



POST SPLICE PLATE

14 gauge cold rolled steel with powder coated.



A Division of Shelving Concepts, Inc.

944 Fisher • Houston, Texas 77018 • 713.957.1111 • Fax: 713.957.1133 • 1-800-474.3531

www.dixieshelving.com